



Benefits/features

- 3-outlet, 3-mode, deck-mounted diverter valve.
- Integral back flow preventer.
- Corrosion-resistant, all brass body with engineered plastic cartridge.
- Cartridge easily accessible from above deck.
- 2 x standard 3/4" threaded and sweat connections.
- Standard 1/2" M and 3/8" F threaded connections for hand shower outlet.
- Seamless switchover from mode to mode.
- Spline and sleeve can be custom ordered.
- Trim package available.
- Flow rate for 3/4" outlet is over 23 GPM @ 45 p.s.i. and for the hand shower outlet it is over 16 GPM @ 45 p.s.i.

VALVETECHNOLOGYTHATFITS

BV231

3-Way Diverter Valve with
Back Flow Preventer



BV231

3-Way Diverter Valve with Back Flow Preventer

The BV231 is a 3-outlet, 3-mode, deck-mounted diverter with integral back flow preventer. Note: 2 outlets and 1 inlet are 3/4" threaded and sweat connections, while the hand shower outlet has a 1/2" threaded male and 3/8" threaded female. This valve is ideal for multiple applications such as whirlpools, soaker bathtubs, shower heads or body showers. The user can smoothly switch between modes without the need to shut the water off. This diverter valve offers a seamless switchover eliminating waterhammer. It also features a patented removable back flow preventer cartridge serviceable from above the deck. For sample installation possibilities, see the **Whirlex Applications Page**.

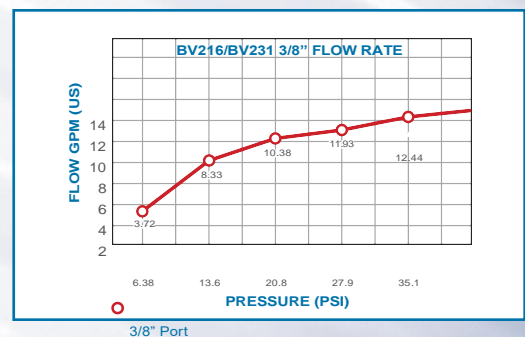
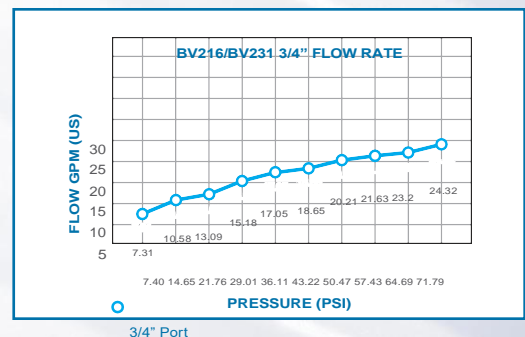
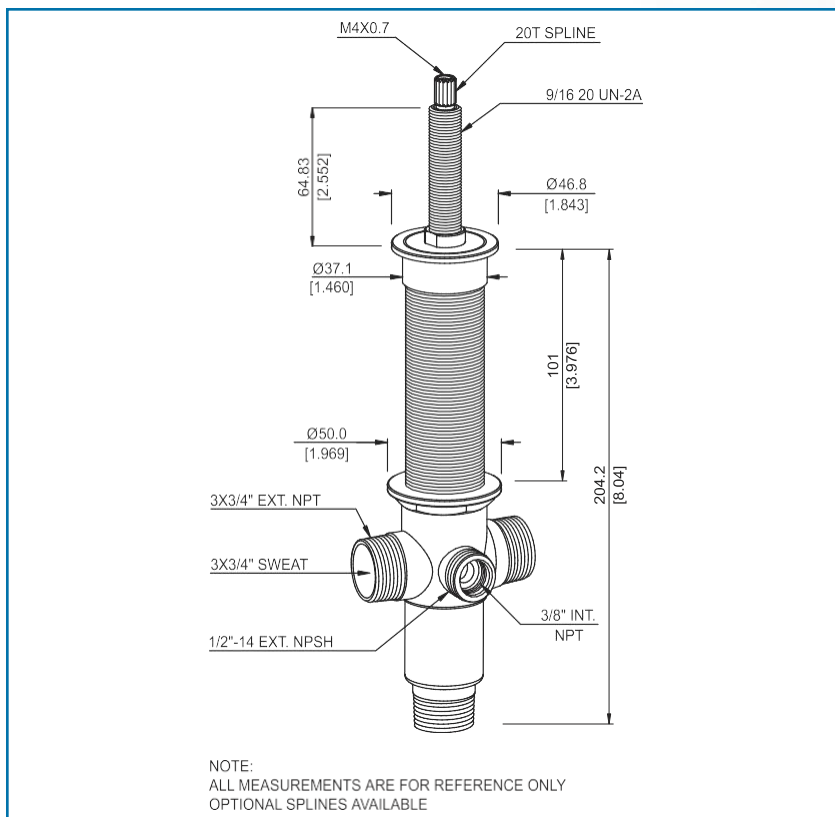
Special Notes:

- The standard spline is a 20-toothed broach, but can be customized according to manufacturers' specifications to fit any handle.
- This **BREDAVALVE®** valve is easily serviceable from above the deck. Its special design utilizes a single convenient, removable patented cartridge. No special tools are required for servicing or installation.
- Certified to CSA, IAPMO, and ASSE Standards.

BV231 Valve Specifications

Max operating temp.....160°F/71°C
 Max operating pressure.....125psi/861Kpa

Patented: USA 11/284,96
 CA 2,488,455



Compliance & Approvals

All **BREDAVALVES®** are certified to the standard requirements of CSA, IAPMO and ASSE. The certification program allows the **BREDAVALVE®** to meet all North American plumbing codes, Federal, State/Provincial and Municipal. Please check your local plumbing codes for any additional requirements.

Omni Brass Inc. 8888 Keele Street Unit #22-A Concord, Ontario, Canada L4K 2N2
 TELEPHONE 905.760.9909 FAX 905.760.2675 www.omnibrass.com