

BV231

3-Way Diverter Valve with Back Flow Preventer

The BV231 is a 3-outlet, 3-mode, deck-mounted diverter valve with an integral back flow preventer. Note: 2 outlets and 1 inlet are 3/4" threaded and sweat connections, while the hand shower outlet has a 1/2" threaded male and 3/8" threaded female. The valve is ideal for multiple applications such as whirlpools and soaker bathtubs, shower heads or body showers. This diverter valve offers a seamless switchover eliminating waterhammer. It also features a patented removable back flow preventer cartridge serviceable from above the deck. For sample installation possibilities, see the **Whirlex Applications Page**.

Special Notes:

- This standard spline is a 20-toothed broach, but can be customized according to manufacturer's specifications to fit any handle.
- This **BREDAVALVE®** is easily serviceable above. It's specially designed to utilize a single, convenient, removable patented cartridge. No special tools are required for servicing or installation.
- Certified to CSA and ASSE Standards

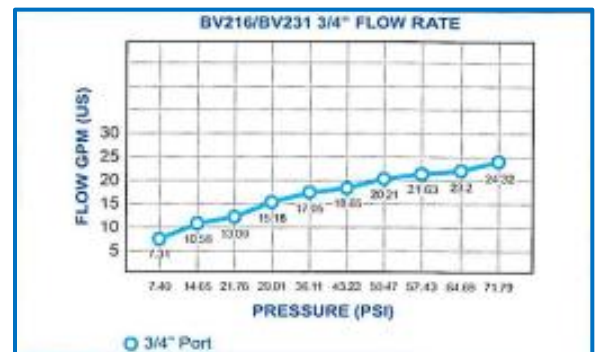
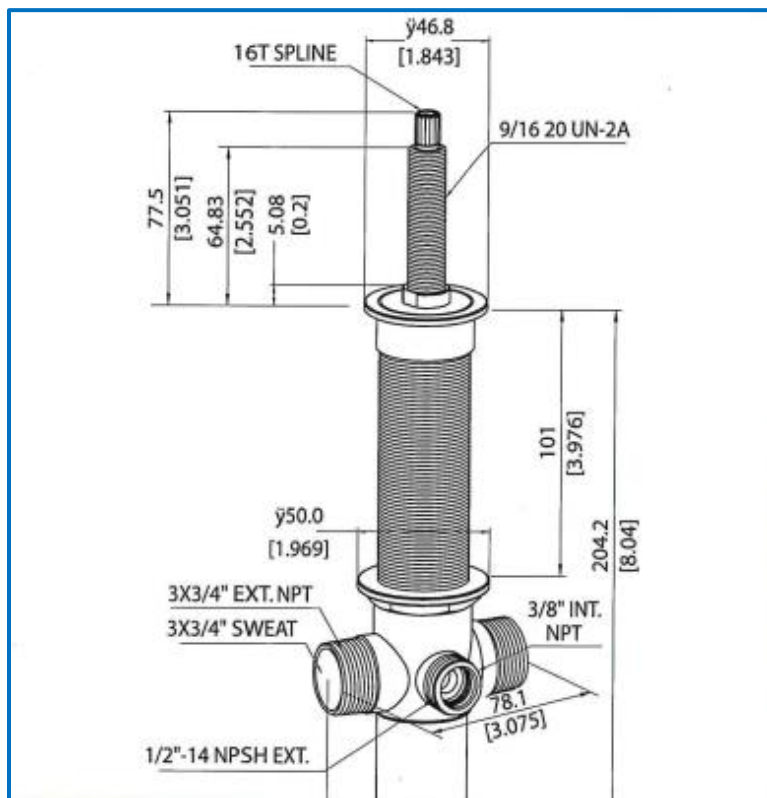
BV220 Valve Specifications:

Max operating tem.....160°F/71°C

Max operating pressure.....125psi/861Kpa

Patented: USA 11/284, 96

CA 2, 488, 455



COMPLIANCE & APPROVALS

All **BREDAVALVE®** are certified to the standard requirements of CSA and ASSE. The certification program allows the **BREDAVALVE®** to meet all North American plumbing codes, Federal, State/Provincial and Municipal. Please check your local plumbing codes for any additional requirements.

Omni Brass Inc. 8888 Keele St. Unit #22-A Concord, Ontario, Canada L4K 2N2
 TELEPHONE (905) 760-9909 FAX (905) 760-2675 www.omnibrass.com