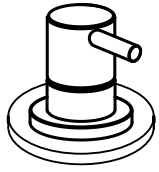
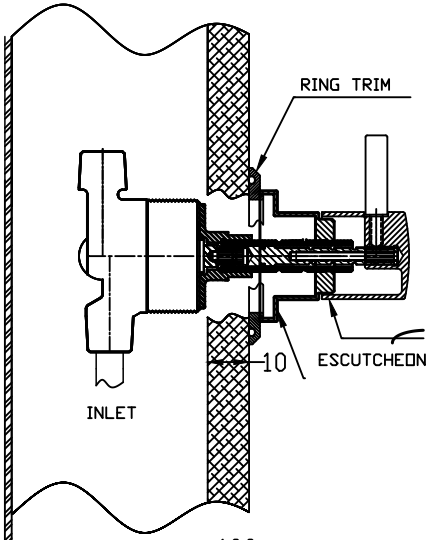




BV635

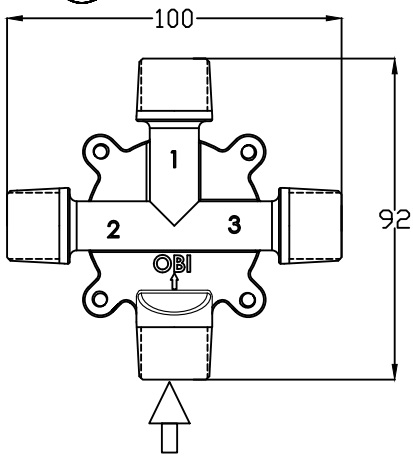
# SHOWER DIVERTER WITH CERAMIC CARTRIDGE



## INSTALLATION INSTRUCTION:

THE BV635 IT IS A 1/2" SHOWER DIVERTER VALVE IT HAS ONE INLET AND 3 OUTLETS. THE PORTS ARE RIMMED INSIDE FOR SOLDERING COPPER PIPE AND THE OUTSIDE ARE 1/2" N.P.T. THREAD. WHEN SOLDERING KIP THE TORCH FLAME AWAY FROM THE BODY, OVER HEATING THE BODY IT MAY DAMAGE THE CARTRIDGE.

THE CERAMIC CARTRIDGE IS AVAILABLE WITH SHARING OR NO SHARING PORTS THE SPLINE AND SLEEVE HAVE GROOVE THAT CAN BE CUSTOM CUT. IF A 2 MODE IS USED, THAN PLUG THE UNUSED ONE



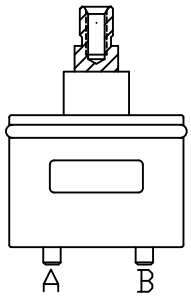
OPERATION SPECIFICATIONS:

PRESSURE: 65 P.S.I 4.5 BAR  
 MAXIMUM : 125 P.S.I. 8.6 BAR  
 MINIMUM : 40 P.S.I. 2.76 BAR

HOTWATER TEMPERATURE:

MAXIMUM TEMPERATURE: 140°F / 60 °  
 MAX. VALVE SETTING: 120°F / 49°C

THE BV635 DIVERTER VALVE IS CERTIFIED TO COMPLY TO CSA, B125 AND ASSE STANDARD AS WELL TO CEC CALIFORNIA ENERGY COMMISSION



BREDAVALVE (BV331) C.S.A., A.S.S.E. & I.A.P.M.O. U.S. & CAN. Patent Pending. BREDAVALVE® is a registered trademark.

NOTE: OMNI BRASS INC. RESERVES THE RIGHT TO MAKE CHANGES WITHOUT PRIOR NOTICE 06-1-2019