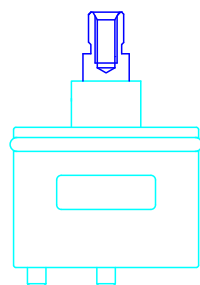
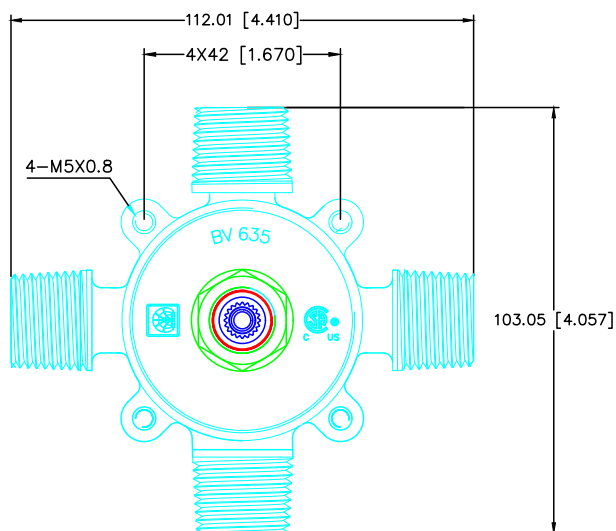
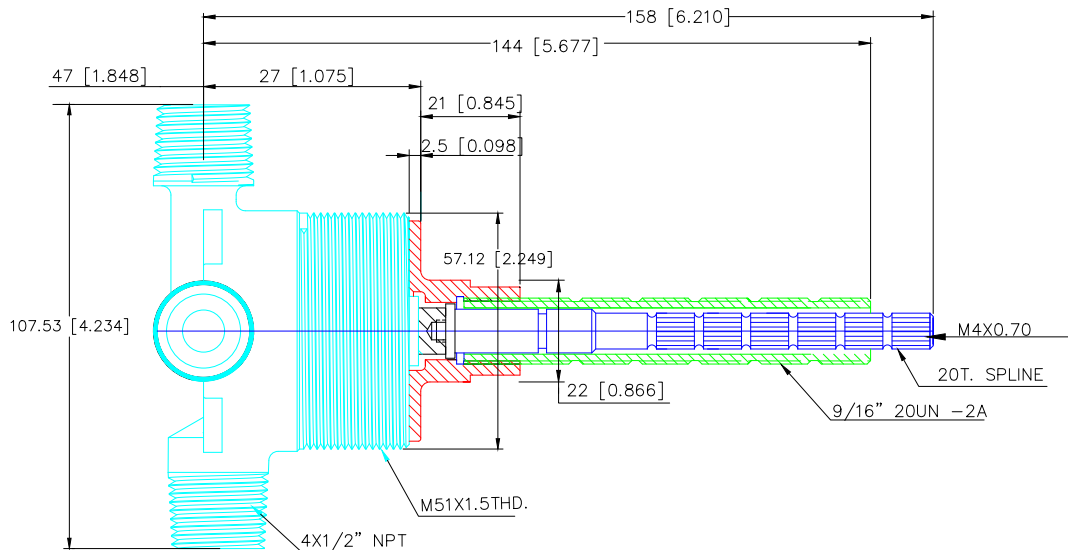




# BV635—CERAMIC CARTRIDGE SHOWER DIVERTER



CARTRIDGE 008.3321

## INSTALLATION INSTRUCTION:

THE BV635 IS A 1/2" SHOWER DIVERTER WITH A CERAMIC CARTRIDGE AND 4 PORTS. 3 OUTLETS AND ONE INLET ALL PORTS ARE RIMMED FOR SOLDER COPPER PIPE THE OUTSIDE THE THREAD IS NPT. WHEN SOLDERING DO NOT OVER HEAT THE BODY POINT THE TORCH FLAME AWAY FROM THE BODY. THE CARTRIDGE HAS 2 MODE

- 1- SHEARING PORTS
- 2- NO SHARING PORTS

### OPERATION SPECIFICATIONS:

PRESSURE: 65 P.S.I. 4.5 BAR  
 MAXIMUM : 125 P.S.I. 8.6 BAR  
 MINIMUM : 40 P.S.I. 2.76 BAR  
 FLOW RATE ABOUT 10 GPM @ 60 PSI

### HOTWATER TEMPERATURE:

MAXIMUM TEMPERATURE: 140°F/ 60 °  
 MAX. VALVE SETTING: 120°F/ 49°C

THE BV635 DIVERTER VALVE IS CERTIFIED TO CSA. B125 AND ASSE STANDARD AND TO CEC CALIFORNIA ENERGY COMMISSION



BREDAVALVE® is a registered trademark, USA. & CAN. patent pending, and complies to C.S.A., A.S.S.E.& I.A.P.M.O.

NOTE: OMNI BRASS INC. RESERVES THE RIGHT TO MAKE CHANGES WITHOUT PRIOR NOTICE