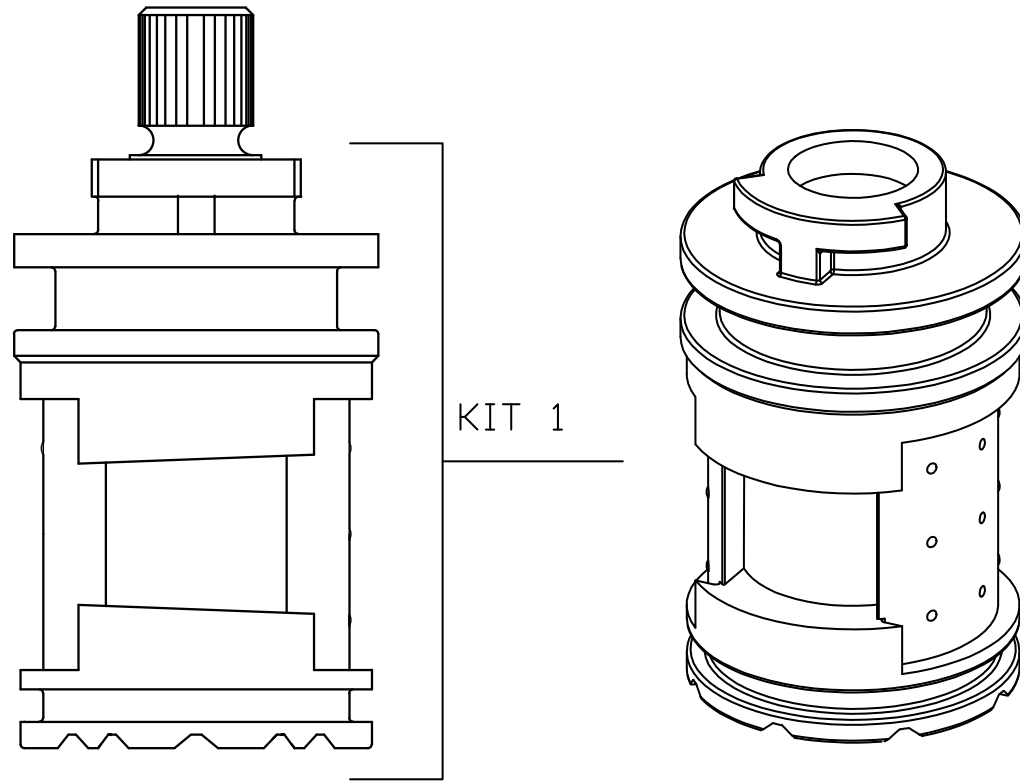


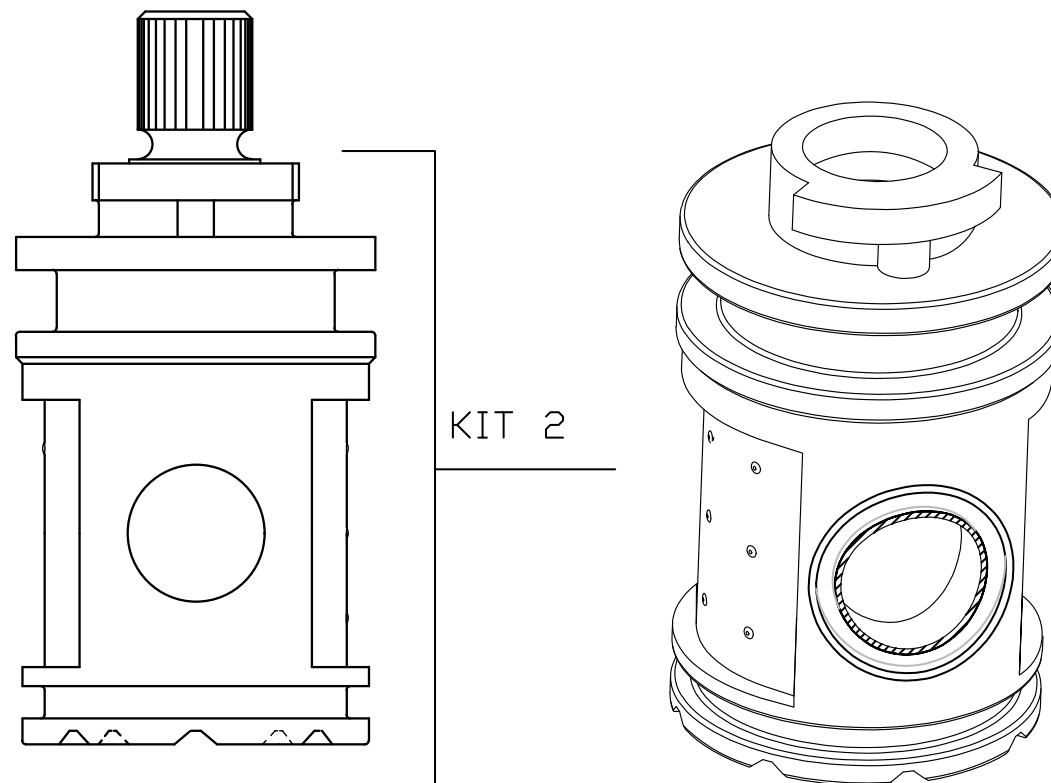


BV631

KIT 1 CARTRIDGE WITH SHARING PORT
KIT 2 CARTRIDGE WITH NON SHARING PORT



BV631 SHOWER DIVERTER SHARING CARTRIDGE



BV631 SHOWER DIVERTER NON SHARING CARTRIDGE



BREDAVALVE® IS A REGISTERED TRADE MARK, USA AND CANADIAN PATENT PENDING COMPLY TO CSA, ASSE. STANDRD
NOTE: MANUFACTURE RESEVES THE RIGHT TO MAKE CHANGS WITHOUT PRIOR NOTICE