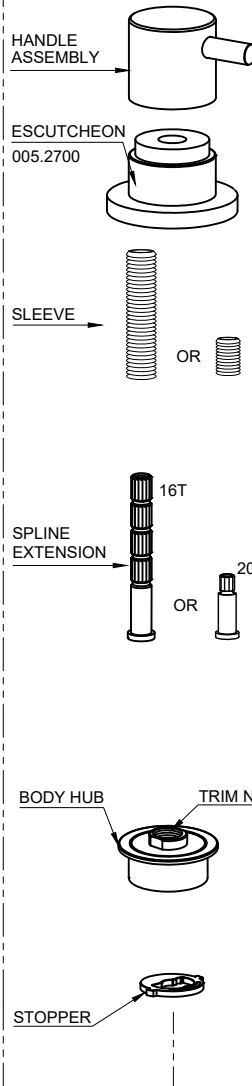
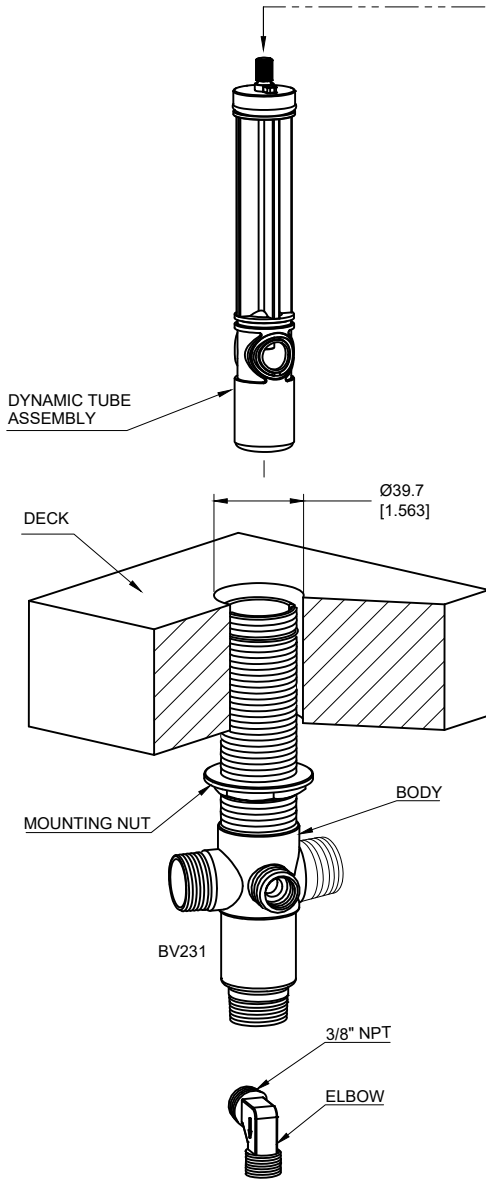




# BV231 THREE PORTS DIVERTER VALVE

## INSTALLATION INSTRUCTIONS



### BEFORE YOU BEGIN INSTALLATION:

BEFORE YOU START TO INSTALL THE BV231 DIVERTER VALVE FAMILIARISE YOUR SELF WITH THE PRODUCT, AND LOCAL AUTHORITY.

### INSTALLATION INSTRUCTION:

THERE ARE TWO TYPES OF CONNECTION, ONE IS SOLDER, THE OTHER IS N.P.T. PIPE CONNECTION.

#### FOR SOLDER CONNECTION:

1. SELECT THE RIGHT POSITION TO INSTALL THE VALVE, THEN DRILL Ø1.5" HOLE ON THE DECK OR BATH TUB RIM.
2. REMOVE FROM THE BODY, THE HUB NUT, TRIM NUT, THEN THE DYNAMIC PLASTIC CARTRIDGE.
3. INSERT THE BODY THROUGH THE HOLE FROM BOTTOM, THEN REINSTALL AND GENTLY HAND TIGHT THE HUB TO THE O-RING.
4. FASTEN THE VALVE WITH THE MOUNTING NUT.
5. WHEN SOLDERING, KEEP THE TORCH FLAME AWAY FROM THE BODY, DON'T OVER HEAT.
6. AFTER ALL JOINTS ARE SOLDERED. COOL THE BODY BEFORE REINSTALL THE CARTRIDGE
7. REMOVE THE TRIM NUT, INSERT THE DYNAMIC TUBE CARTRIDGE SLOWLY AND GENTLY TURNING SO NOT TO DAMAGE THE O-RING AT THE EDGE OF OUTLET PORTS.
8. INSTALL THE DETENT STOPPER ON THE TOP OF DYN. TUBE. ALIGN THE 2 TABS INTO THE BODY GROOVE. THEN REINSTALL THE TRIM NUT ONTO THE HUB.
9. INSERT THE SPLINE EXTENSION AND FASTEN WITH THE SLEEVE. MAKE SURE THE CARTRIDGE IS NOT JAMED
10. MOUNT THE TRIM.

#### N.P.T. PIPE CONNECTION:

THERE IS NO NEED TO REMOVE THE PLASTIC DYNAMIC CARTRIDGE OUT OF THE BODY. ONLY USE PROPER TEFLON TAPE OR THREAD DOPE. IF SOLDER CONNECTION IS USED FOR N.P.T. BRASS FITTING, FIRST SOLDER THE BRASS FITTINGS, WHEN COOLED OFF, APPLY THE TEFLON TAPE TO THE VALVE BODY PORTS AND THEN TIGHT THE N.P.T. FITTING.

#### TROUBLE SHOOTING

1. LEAK BETWEEN TOP OF BODY AND DYNAMIC TUBE.  
DYNAMIC TUBE ORING IS DEFECTIVE, TO REPLACE IT, REMOVE THE SLEEVE, SPLINE EXTENSION, TRIM NUT AND THE DYNAMIC TUBE, CHECK AND REPLACE THE DAMAGED ORING. TO INSTALL, USE NON PETROLEUM GREASE.
2. WATER FLOWS FROM TWO OUTLETS AT THE SAME TIME.  
THE GROMMET MAYBE INSTALLED IMPROPERLY OR DEFECTIVE. REMOVE THE DYNAMIC TUBE AS PER #1, CHECK AND REPLACE THE GROMMET, THEN REINSTALL.

Pressure	45 PSI	65 PSI
Flow Rate	15 GPM	22 GPM

#### WARRANTY:

THE BV231 VALVES HAVE FIVE-YEAR WARRANTY FROM THE DATE OF PURCHASE .IF THE VALVE DOESN'T PERFORM PROPERLY WITHIN THE GUARANTY PERIOD, OMNI BRASS HAS THE RIGHT TO: FIX, REPLACE THE NON PERFORMING PARTS, LABOR, S/H ARE NOT INCLUDED.  
WARRANTY IS VOID IF 1 ) VANDALISM 2 ) MISUSE 3 ) ABUSE 4 ) TAMPER 5 ) MISHANDLING OCCUR.



BREDAVALVE® (BV231) C.S.A., A.S.S.E. & I.A.P.M.O. U.S. & CAN. Patent Pending. BREDAVALVE® is a registered trademark.