

BV202

Back Flow Preventer with Vacuum Breaker

The BV202 is a rim-mounted fitting with an integral Atmospheric Vacuum Breaker. It's ideal for large tub applications such as whirlpools, jet soaker, and bathtubs. It has a quiet operation and also features an added protection with check valves. This valve handles a high flow rate of over 20 GPM at high water pressures of 45 p.s.i.

Special Notes:

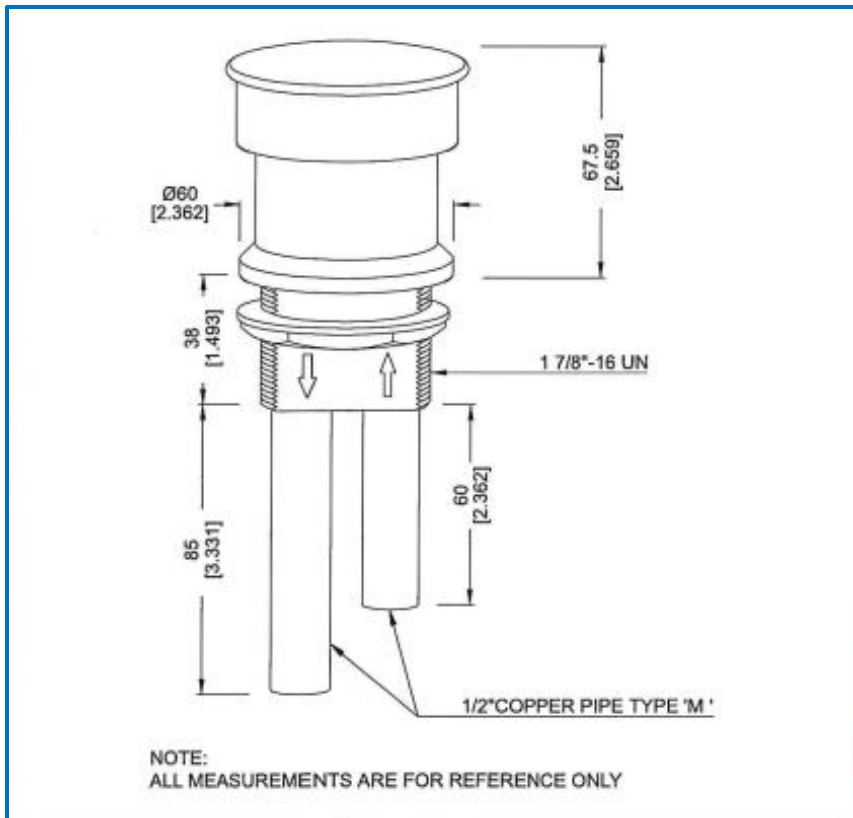
- This **BREDAVALVE**® is easily serviceable above the deck. No special tools are required for servicing or installation.
- Certified to CSA and ASSE Standards

BV202 Valve Specifications:

Max operating tem.....160°F/71°C

Max operating pressure.....125psi/861Kpa

Patented: Patent Pending USA, CA.



COMPLIANCE & APPROVALS

All **BREDAVALVE**® are certified to the standard requirements of CSA and ASSE. The certification program allows the **BREDAVALVE**® to meet all North American plumbing codes, Federal, State/Provincial and Municipal. Please check your local plumbing codes for any additional requirements.

Omni Brass Inc. 8888 Keele St. Unit #22-A Concord, Ontario, Canada L4K 2N2
TELEPHONE (905) 760-9909 FAX (905) 760-2675 www.omnibrass.com