



# BV202-10 VACUUM BREAKER FITTING

## FEATURES AND BENEFITS:

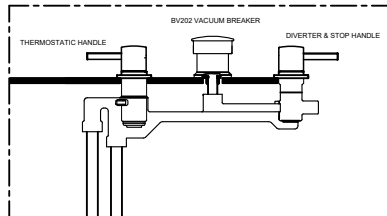
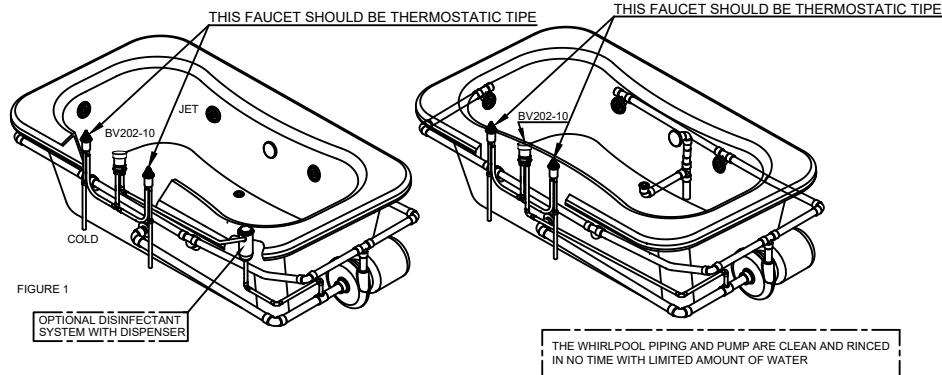
### FEATURES:

THE BV202-10 IS A VACUUM BREAKER ATMOSPHERIC TYPE FITTING, THE INLET AND OUTLET ARE  $\frac{1}{2}$ " COPPER PIPE IT FLOW ABOUT 10gpm AT 65 psi.

### WARRANTY:

THE BV202-10 VALVE HAS A ONE (1) YEAR WARRANTY FROM THE DATE OF PURCHASE. IF THE VALVE DOESN'T PERFORM PROPERLY WITHIN THE GUARANTEE PERIOD, OMNI BRASS HAS THE RIGHT TO: FIX, REPLACE NON-PERFORMING PARTS FREE OF CHARGE, LABOR, S/H ARE NOT INCLUDED. WARRANTY IS VOID IF: 1- VANDALISM, 2- MISUSE 3- ABUSE, 4- TAMPERED, 5- DEFECTIVE INSTALLATION OCCURRED.

## INSTALLATION SUGGESTION CONFIGURATION:



## TROUBLE SHOOTING

- |                                     |  |
|-------------------------------------|--|
| 1. THERE IS NO FLOW OF WATER        | THERE MAY BE 3 POSSIBILITIES OF PROBLEM,<br>1-THE WATER INLET / OUTLET IS CROSSED<br>2- THE HUB PORTS ARE BLOCKED BY DIRT PREVENTING THE WATER TO GO THROUGH,<br>2- THE FLOAT IS STUCK |
| 2. WATER LEAKS BETWEEN THE CAP AND  | REMOVE THE TRIM CAP BY GENTLY TWISTING AND PULLING UPWARD AND SIDEWAYS,<br>CHECK THE HUB O-RING IF DAMAGED REMOVE AND REPLACE THE O-RING   |
| 3. WATER LEACK FROM TOP CHECK VALVE | 4-DIRT MAY BE LODGED IN THE FLOAT CHECK , REMOVE CLEAN AND REINSTALL   |

NOTE. INCASE ALL THE COMPONENTS OF THE BV202-10 VACUUM BREAKER ARE REMOVED FOR CLEANING USE ONLY WARM WATER TO CLEAN REINSTALL MAKE SURE THE 2 TAB AT THE BOTTOM OF THE TRANSFER HOB WILL MET WITH THE 2 HOLE IN THE BRASS BODY MAKE SURE THE 2 O' RING ( 003-6300 AND 003-8100) ARE PROPERLY SET IN THE TRANSFER FITTING (026-7400) ONLY USE SILICONE GREASE



BREDAVALVE® (BV202-10) C.S.A., A.S.S.E. & I.A.P.M.O. U.S. & CAN. Patent Pending. BREDAVALVE® is a registered trademark.