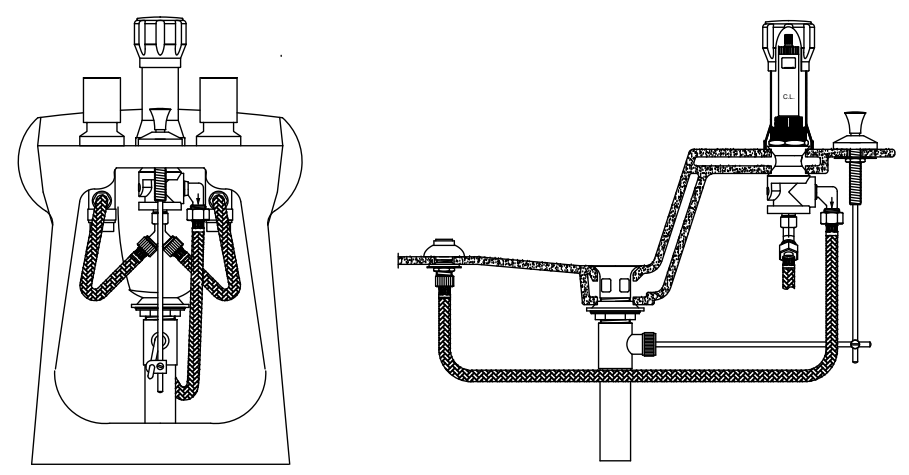




BV100

# BIDET DIVERTER VALVE



BV100 BIDET DIVERTER VALVE WITH INTEGRAL VACUUM BREAKER CAN BE ASSEMBLED WITH ALL TYPE OF CHINA BOWL WITH 4 HOLES, VERTICAL SPRAY AND ALL MAKE OF FAUCET THIS TYPE OF BIDET WITH VERTICAL SPRAY IS THE BEST AND COMFORTABLE SOOTHING HYGIENIC BIDET IN THE MARKET. ONLY CLEAN TEMPERED AND AERATED WATER IS USED, WHILE IN USE THE BIDET RIM IS WARMED BY THE WATER AND IN THE SAME TIME IT KIP THE BOWL CLEAN. IDEAL FOR A SOOTHING HYGIENIC COMFORT EXPERIENCE

IN THE MARKET THERE ARE SEVERAL TYPE OF BIDET AS;

- 1- SINGLE HOLE BIDET: IS VERY ECONOMICAL BUT NOT HYGIENIC THE BATHER MUST USE THE HAND TO WASH IN ADDITION MUST DUNK THE HAND ON DIRTY WATER TO WASH
- 2- ELECTRONIC TOILET SEAT BIDET: GOOD ALTERNATIVE HOWEVER VERY COSTLY, NOT EFFICIENT AND GOOD LOOK IF NEED TO BE REPAIR
- 3- THAN THERE IS VERY ECONOMICAL TYPE OF BIDET SEAT WITH ONLY COLD WATER, NO COMPARISON.



BREDAVALVE® (BV202-10) C.S.A., A.S.S.E. & I.A.P.M.O. U.S. & CAN. Patent Pending. BREDAVALVE® is a registered trademark.

NOTE: OMNI BRASS INC. RESERVES THE RIGHT TO MAKE CHANGES WITHOUT PRIOR NOTICE